

4. Slip the protective cover into position over the screw terminals and tighten mounting screws.
5. Run the wires to the Sensaphone and attach them to the screw terminals of an available input.

### **PROGRAMMING FOR MODELS**

#### **400/800/1400/1800/2800**

1. Close the door or window.
2. Set input normality by pressing SET CONFIGURE.
3. Test the sensor by opening the door or window.  
A verbal alert message should occur.

#### **PROGRAMMING FOR EXPRESS II/2000/ SCADA 3000, WEB600, CELL682, SAT4D**

1. Close the door or window.
2. Set input normality to Normally Closed via the Inputs menu.
3. Test the sensor by opening the door or window.  
A verbal alert message should occur.

### **MULTIPLE SWITCHES**

Several Magnetic Reed Switches may be installed in series on a single continuous circuit provided all switches will be normally closed at the same time.

## **MAGNETIC REED DOOR & WINDOW SWITCH**

### **FGD-0006 V.1.5**

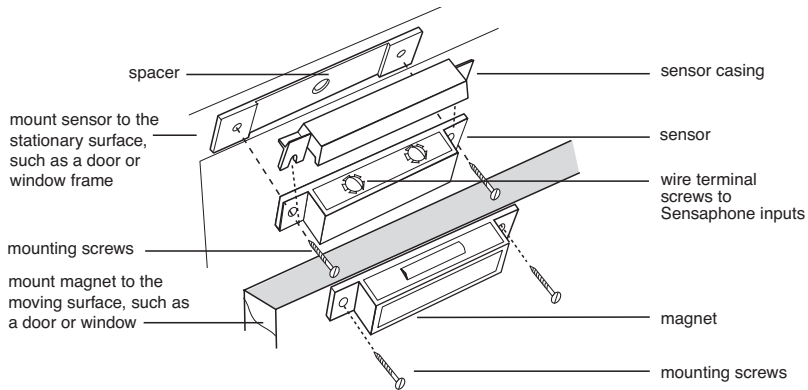
The Magnetic Reed Switch enables your Sensaphone to detect if any unauthorized entry or intrusion has occurred. Switches are usually installed on doors and windows to detect their opening or closing. The Magnetic Reed Switch can be used with all Sensaphone models.

### **INSTALLATION**

The switch is usually installed to function in a normally closed position when the door or window is closed.

The complete Magnetic Reed Switch assembly comes in two main parts: a magnet in a plastic housing, and a switch with screw terminals in another, separate plastic housing.

1. Fasten the switch to the non-moving frame surrounding the door or window.
2. Fasten the magnet near the edge of the moveable sash or door. Position the magnet housing no more than 1/8" from the switch and tighten mounting screws. Use the spacer bar if needed for alignment.
3. Attach two separate wires to the two screw terminals on the switch. The use of 22 gauge wire is recommended for circuit loops up to 3,000 feet.



**Mounting and Assembly Diagram**

**SPECIFICATIONS:**

**Normality:** Normally closed

**Dimensions:** 2 1/2" x 3/4" x 1/2" (part with screw terminals); 2 1/2" x 3/4" x 5/8" (part with magnet)

**Number per input:** Multiple, wired in series

For customer service, call (610) 558-2700

**SENSAPHONE®**  
 901 Tryens Road  
 Aston, PA 19014