

HUMIDISTAT WIRING INSTRUCTIONS

FGD-0027 v2.2

The humidistat can work with your Sensaphone to detect too high or too low a humidity level. The range of the humidistat is 10% to 80% RH.

INSTALLATION INSTRUCTIONS

The humidistat is designed to be wall mounted indoors. You can mount it to a single gang electrical box or attach it directly to the wall. There is an insulated hole in the backplate that can be used to pass the wires through the wall, if desired, otherwise you can simply run the wires down the wall through one of the slots at the bottom of the enclosure.

To begin, determine the humidistat location. The unit should be mounted on an inside wall where normal air circulation can surround the control. Loosen the screw at the bottom of the enclosure and separate the metal bracket from the white plastic housing. When using a gang box, run the wire from the Sensaphone, through the wall, to the gang box and pass it through the black plastic sleeve on the bracket. Then attach the bracket to the gang box using the two machine screws. When mounting the Humidistat directly to the wall use drywall anchors and tapping screws (or appropriate fasteners) to secure the metal bracket to the wall. Next, use the appropriate wire nuts for 22-to-18 gauge wire to attach the black and red wires from the humidistat to the wires going to one of the unused Sensaphone input terminals (zones). There is no polarity when using the humidistat so it doesn't matter which wire connects to which terminal on the Sensaphone. Tuck the wire nuts neatly into the empty space within the white housing. Finally, reattach the white housing to the metal bracket and secure the screw at the bottom of the enclosure.

INSTRUCTIONS FOR 400, 800, 1400, 1800, 2800, EXPRESS II

When using the humidistat to detect too low a humidity level:

1. The normality of the sensor will be N.O.—“normally open.”
2. Set the control knob to the 80% position.
3. Your Sensaphone may indicate that an alert condition exists. Press ALARM CANCEL to clear the message.
4. Re-set the input configuration and/or the input type. Consult your owner's manual for further instructions.
5. Turn the humidistat control to the humidity setting you want to cause an alarm.

When using the humidistat to detect too high a humidity level:

1. The normality of the sensor will be N.C.— “normally closed.”
2. Set the control knob to the ON position.
3. Your Sensaphone may indicate that an alert condition exists. Press ALARM CANCEL to clear the message.
4. Re-set the input configuration and/or the input type. Consult your owner's manual for further instructions.
5. Turn the humidistat control to the humidity setting you want to cause an alarm.

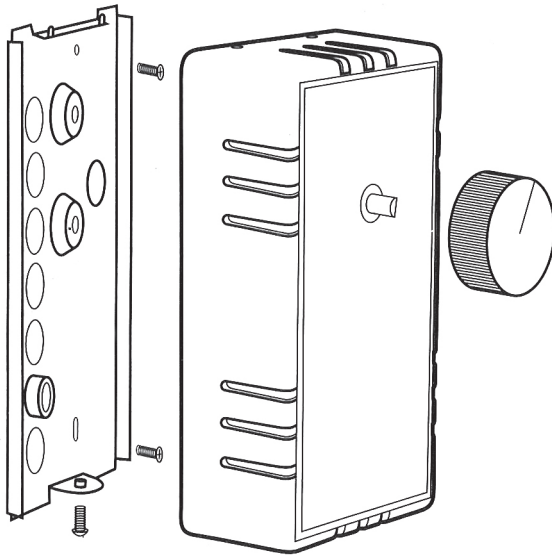
INSTRUCTIONS FOR WEB600, SENTINEL, SAT4D, CELL682 AND SCADA 3000

When using the humidistat to detect too high a humidity level:

1. The normality of the sensor will be N.O.—“normally open.”
2. Program the input type as discussed in your owner’s manual.
3. Turn the humidistat control to the humidity setting you want to cause an alarm.

When using the humidistat to detect too low a humidity level:

1. The normality of the sensor will be N.C.—“normally closed.”
2. Program the input type as discussed in your owner’s manual.
3. Turn the humidistat control to the humidity setting you want to cause an alarm.



SENSAPHONE®
REMOTE MONITORING SOLUTIONS

901 Tryens Road • Aston, PA 19014 • PH: 877-373-2700 • www.sensaphone.com